

DS-KB8112-IM IP Video Intercom Door Station

Key Features

Basic Functions

- Video intercom function, supporting the communication with the master station, the client software, the app, and indoor stations
- Access control function, supporting multiple door opening modes (indoor station, master station, client software, app and web)
- Self-adaptive IR supplement with max. 5-meter IR distance
- High-performance embedded SOC processor
- IK 9 and IP 66



Video/Audio Functions

- HD video surveillance with WDR wide angle and high performance CMOS, up to 720P @ 30 fps
- Noise suppression and echo cancellation
- H.264 and MJPG video compression standard
- Low illumination

Alarm Functions

- Door magnetic alarm supported
- Auto-uploads alarm messages to the master station or the client software

Remote Controls

- Remote reboot, remote upgrade, time synchronization via NTP, and batch configuration function
- Web remote access and OSD display supported
- Mobile app supported
- Motion detection supported

Additional Features

- ISAPI (Internet Server Application Programming Interface) and ONVIF (Open Network Video Interface Forum) supported, to ensure greater compatibility and interoperability among different platforms
- Support bit rate and frame rate configuration, P/N video standard configuration, Email configuration, and auto day & night switch
- Message notification function
- Auto-uploads captured pictures to the FTP or the client software while unlocking the door



Specifications

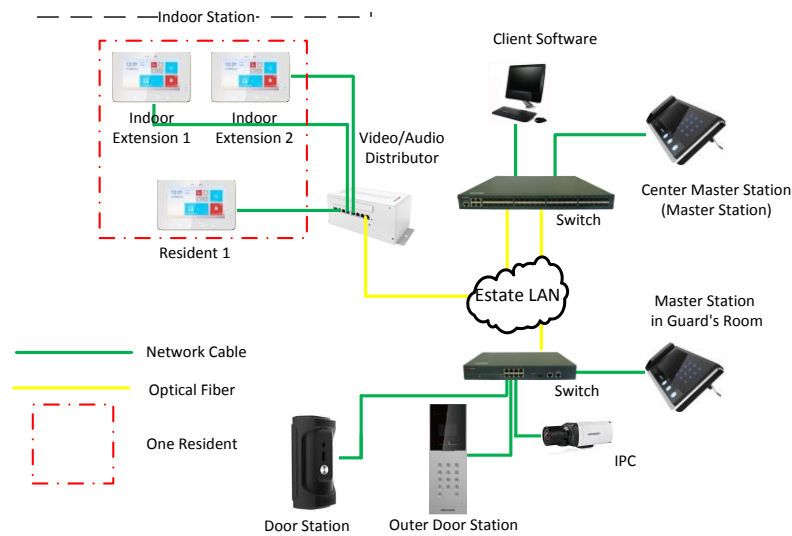
Model		DS-KB8112-IM
System parameters	Processor	High-Performance Embedded SOC Processor
	Operation system	Embedded Linux Operation System
Camera parameters	Image sensor	1/3" Progressive Scan CMOS, Color, Day/Night
	Light sensitivity	Low Illumination
	Lens	Pinhole, f3.47mm,F2.5
	Field of view	80° (Horizontal), 44° (Vertical)
	Field of view adjustment	-50° to 50°
Video parameters	Video compression standard	H.264, MJPG
	Video streaming	Dual Stream Main Stream: H.264, Sub-Stream: H.264/MJPG
	Resolution	Main Stream: 1280 × 720 Sub-Stream: 640 x 480
	Video frame rate	PAL: 25 fps, NTSC: 30 fps
	Video bit rate	Main Stream: 32 Kbps to 4096 Kbps Sub-Stream: 32 Kbps to 2048 Kbps
	Anti-flicker frequency	50 Hz, 60 Hz
	Wide dynamic range	Digital WDR, Auto-Switch, DAY/ON, NIGHT/OFF
	Image settings	Color, Brightness, Contrast, Sharpness, Saturation, Video Standard, OSD Display
Audio parameters	Audio streaming	Two-Way, Full Duplex
	Audio input	Built-in Omnidirectional Microphone
	Audio output	Built-in Loudspeaker
	Audio compression standard	G.711 U
	Audio compression rate	64 Kbps
	Audio quality	Noise Suppression and Echo Cancellation
Light supplement	Light supplement mode	IR Supplement, IR Distance: 5 Meters
	Wavelength	940 nm
	Control	Auto ON/OFF, Time ON/OFF

Model	DS-KB8112-IM	
Network parameters	Ethernet	10/100 Mbps Self-Adaptive Ethernet
	Network protocol	RTSP, RTP, ONVIF, ISAPI, NTP, HTTP, HTTPS, DHCP, FTP, SMTP
	Network connection mode	DHCP, Static IP Address
	Door-unlocked duration	1 s to 255 s
Alarm parameters	Alarm input	Door Magnetic Alarm
Device interfaces	Network interface	1 RJ-45 10/100 Mbps Self-Adaptive Ethernet Interface
	I/O input	1
	I/O output	1 Relay Output
Event actions	Event	Motion Detection, Picture Capturing, Call Button Pressing
	File uploading	FTP
	Email notification	Login Succeeded via Software or Web
General	Material	Wall Mounting Shield: Zinc Alloy Front Panel: Zinc Alloy Rear Panel: Aluminum Alloy Wall Mounting Plate: Secc
	Impact protection	IK 9
	Ingress protection level	IP 66
	Power supply	PoE (Power over Ethernet)
		12 VDC
	Power consumption	Max. 12 W
	Working temperature	-30° C to +50° C (-22° F to 122° F)
	Working humidity	10% to 90%
	Video management software	Video management software from HIKVISION (included). For more information, see http://www.hikvision.com/us/Tools_84.html
	Dimensions (L × W × H)	161.9 mm × 74.1 mm × 53.2 mm (6.37" × 2.92" × 2.09")
	Weight	773g (1.70lb)
Included accessories	Quick Start Guide, CD with User Manual and Software, Wall Mounting Plate, Wall Mounting Shield, Screw Package, Screw Driver	

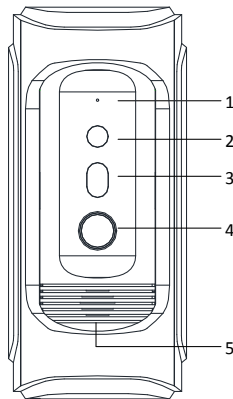
Available Model

DS-KB8112-IM

Typical Application



Appearance and Interfaces



Index	Description
1	Microphone
2	Built-in Camera
3	IR Supplement Light
4	Call Button
5	Loudspeaker

Distributed by



HIKVISION

Headquarters

No.555 Qianmo Road, Binjiang District,
Hangzhou 310051, China
T +86-571-8807-5998
overseasbusiness@hikvision.com

Hikvision USA
T +1-909-895-0400
sales.usa@hikvision.com

Hikvision Europe
T +31-23-55-42-770
info.eu@hikvision.com

Hikvision Middle East
T +971-4-8816086
salesme@hikvision.com

Hikvision Russia
T +7-495-669-67-99
saleru@hikvision.com

Hikvision India
T +91-22-28469900
sales@pramahikvision.com

Hikvision Italy
T +39-0438-6902
info.it@hikvision.com

Hikvision France
T +33(0)1-85-330-450
info.fr@hikvision.com

Hikvision Spain
T +34-91-737-16-55
info.es@hikvision.com

Hikvision Poland
T +48-22-460-01-50
poland@hikvision.com

Hikvision UK
T +01628-902140
support.uk@hikvision.com

Hikvision Singapore
T +65-6684-4718
sg@hikvision.com

Hikvision Oceania
T +61-2-8599-4233
salesau@hikvision.com

Hikvision Canada
T +1-909-895-0400
sales.usa@hikvision.com

Hikvision Korea
T +82-31-731-8841
sales.korea@hikvision.com

Hikvision Brazil
T +55 11 3318-0050
Latam.support@hikvision.com

Hikvision Africa
T +27 (0) 0351172
sale.africa@hikvision.com

Hikvision Hong Kong
T +852-2151-1761