

TS1200: Tripod Turnstile

TS1211: Tripod Turnstile with Controller and RFID Reader

TS1222: Tripod Turnstile with Controller and Fingerprint Reader with RFID function

Please read this document carefully before installation and using the device.

1. Technical Specifications

| | | | |
|-----------------------|--------------------------------|---------------------------|-----------------------------|
| Input Voltage | AC 220V / 110V, 50Hz / 60Hz | Max. Tolerance of Arms | Center: 80 kg End: 40 kg |
| Rated Power | 60 W | Ingress Protection Degree | IP54 |
| Operating Environment | Indoor and Outdoor | Arm Length (mm) | 500 |
| Operating Temperature | -28°C ~ 60°C | Net Weight | 55kg |
| Operating Humidity | 5% ~ 85% | Gross Weight | 63kg |
| Flow Rate | 25~48 passages / minute | Dimension(mm) Figure 1 | L = 600, W = 330, H = 980 |
| Input Control Signal | Dry contact | Package Size (mm) | L = 730 , W = 450, H = 1080 |

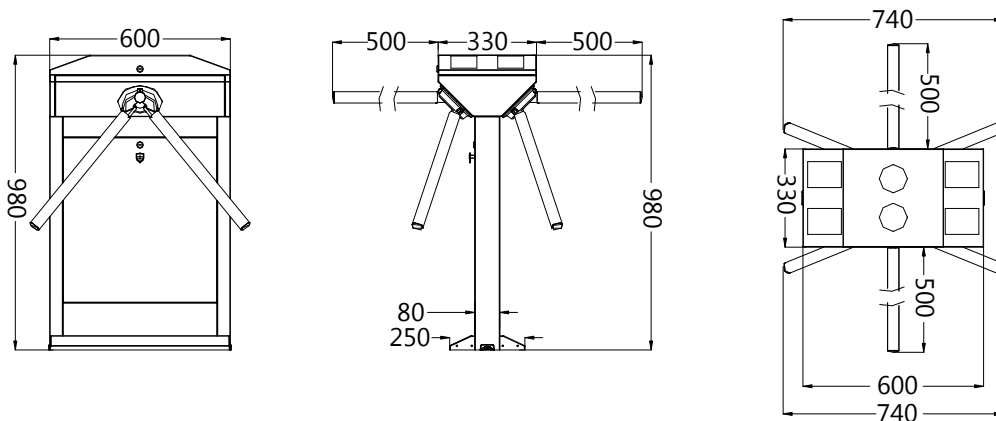


Figure 1

2. Arm Installation and Equipment Testing

2.1 Arm Installation Method

Installation procedure

1. Open the glue and apply in the square openings of the arms as well as the four countersunk screws, as shown in figure 2-1. (This is to prevent screws from getting loose due to vibration after being used for a long time.)

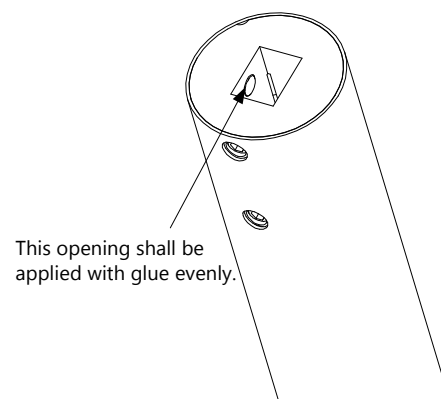


Figure 2-1

2. Insert the arms to the connection points, and use the Hex key to fasten the four countersunk screws on each arm, as shown in figure 2-2.

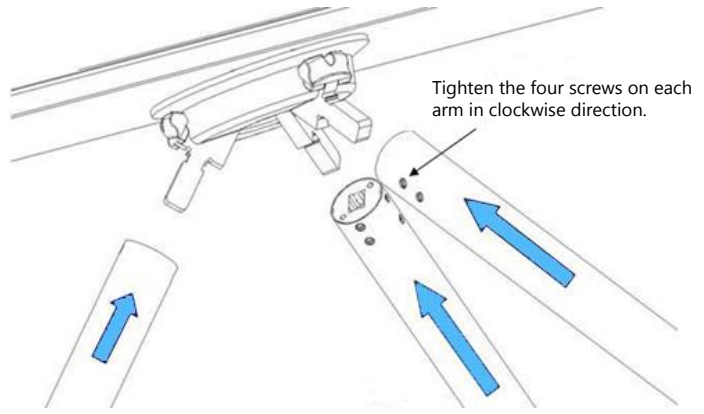


Figure 2-2

2.2 Power-on Test Before the Installation of Device

1. Please make sure that the power requirements are strictly met to avoid permanent damage to the unit. You could change the input voltage 110V or 220V through the DIP switch, as shown in figure 2-3.

Note: The tripod turnstile must be connected to ground (earth).

2. Power on and wait 30s for the tripod turnstile to finish the self-check program.
3. Lift the arms manually, as shown in figure 2-4.
4. Check whether the tripod turnstile and the LED indicators work properly.

If there is any problem, please refer to section 4.2 or kindly contact the supplier.

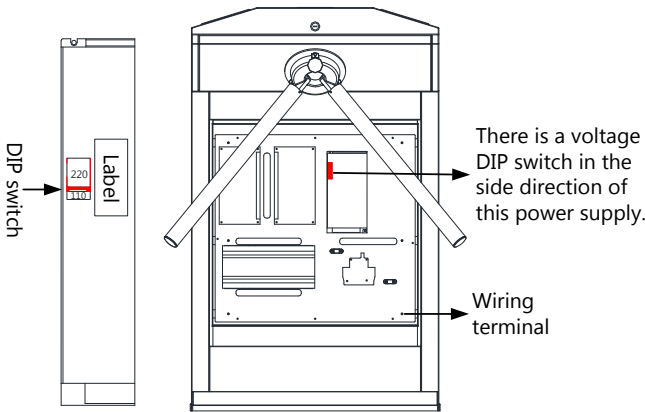


Figure 2-3

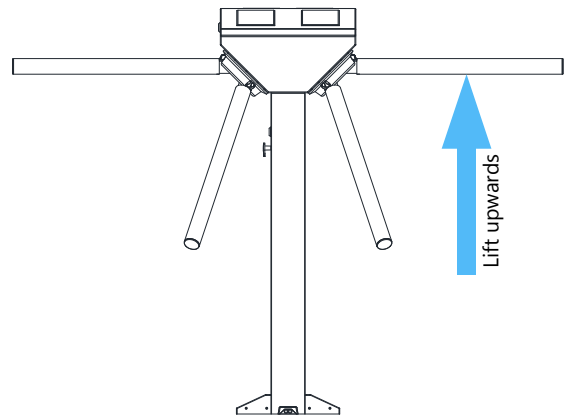


Figure 2-4

3. Equipment Installation

3.1 Installation Conditions

The equipment must be installed on concrete ground, ensuring that expansion bolts can be secured firmly.

You are suggested to install an assistant framework or fence to form a passageway, as shown in figure 3-1.

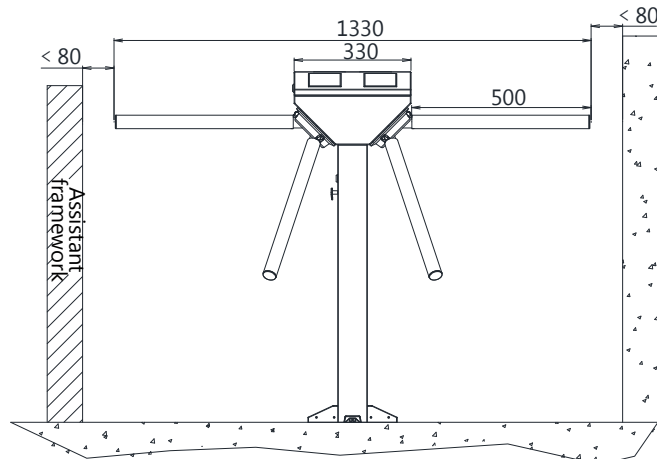


Figure 3-1

Note:

1. The space at the end of the arm shall not be greater than 80 mm (see figure 3-1).
2. Setting a warning line for card swiping (see figure 3-2). A warning line is suggested to prompt users to swipe cards in a distance, which would greatly reduce the probability of equipment failure caused by improper operations.

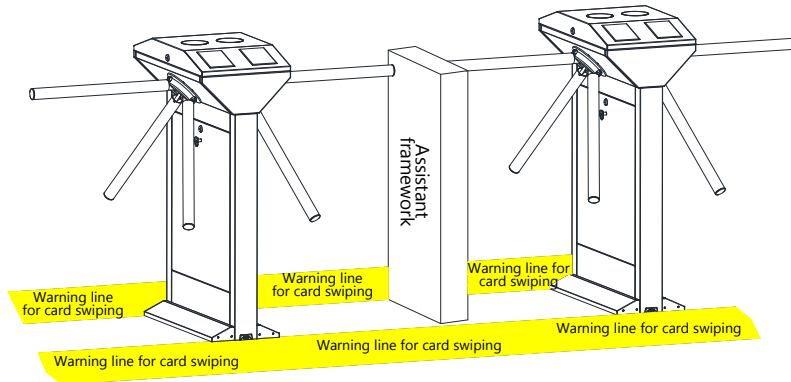


Figure 3-2

3.2 Cabling

There are inlets in the bottom plate for cabling, as shown in figure 3-3. Power supply and communication wire should go through the inlet. Cable protection covers are suggested to use if it is surface mounted.

Warning: The tripod turnstile must be connected to Ground (earth), there is wiring interface in the power switch.

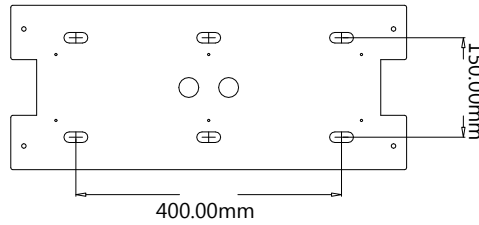


Figure 3-3

3.3 Installation

1. Drilling holes

Drill holes based on the locations of the holes shown in figure 3-3.

2. Fix the mounting plate to its original position

Placing the mounting plate properly and apply screw securing glue on the surface and the threads of the expansion bolts, install six expansion bolts to secure the mounting plate, and use a horizontal ruler to test the levelness of the mounting plate. If the mounting plate is not level, adjust it by the gaskets provided. Note that all the six expansion bolts must be installed properly, as shown in figure 3-4.

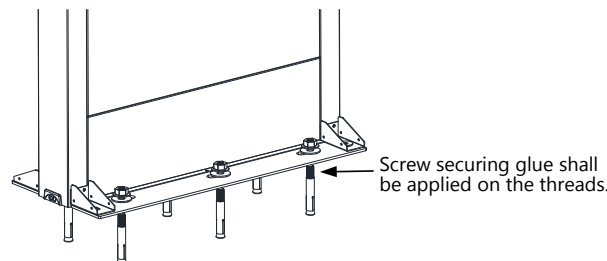


Figure 3-4

3. Put the turnstile on the mounting plate and tighten the screws. Apply screw securing glue before use and put gaskets on the screws to adjust the direction of the turnstile. If the tripod turnstile is not level, you can place gaskets to adjust, as shown in figure 3-5.

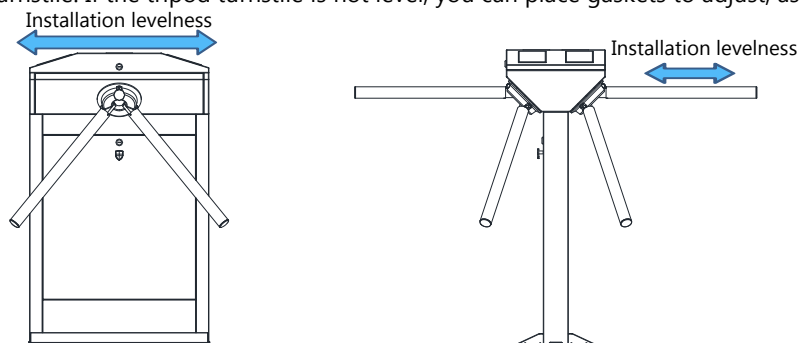


Figure 3-5

4. Cable Diagram

4.1 Function Description of the Turnstile Control Board

If you are using TS1211 or TS1222, all the connections between access control and turnstile control board are done in factory. Just plug in communication cable to access controller and do the setting.

If you are using TS1200, you need to connect access control system to the turnstile control board, please check the content in this chapter carefully.

Warning: The third party access control system lock relay trigger time should be 1 second or less than 1 second.

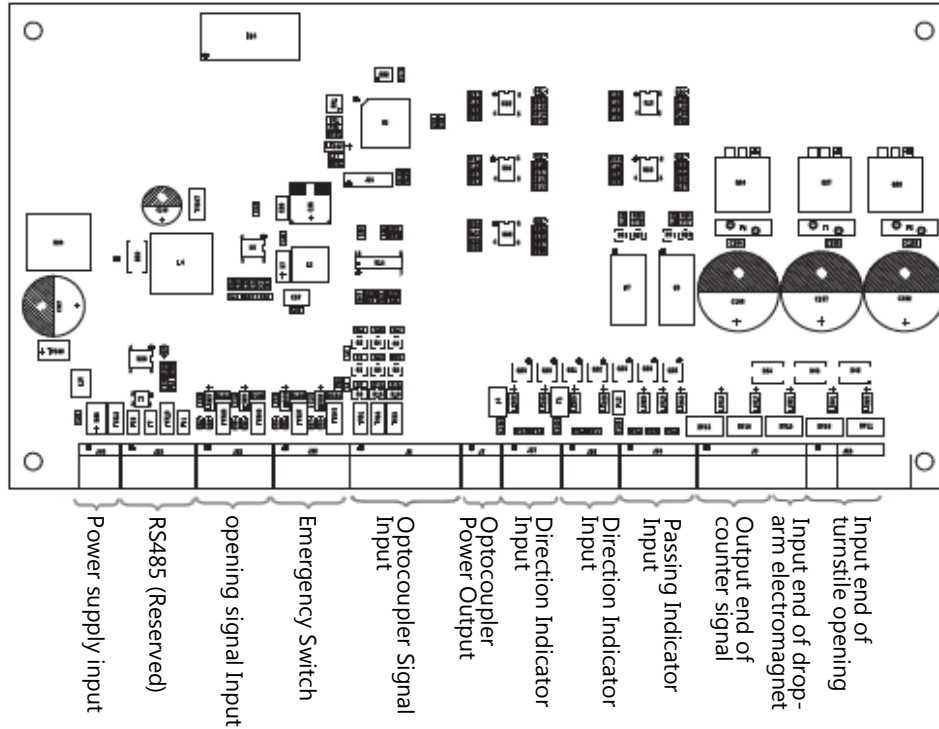


Figure 4-1

Interface description:

Opening Signal Input: to receive relay signal and open the turnstile.

Emergency Switch: to keep the turnstile open in case there are fire or other emergencies.

Direction Indicator Output: to connect a LED screen and indicate whether this passage is allowed to pass.

Passing Indicator Output: to connect a LED screen and indicate if user verification is successful and whether it is able to pass.

Counter Output: to connect a LED screen and display the number of people passed that is generated by the push of tripod arms, each completed push means pass one time.

Drop Arm Electromagnet Output: to control the tripod arms manually rise up and automatically drop down.

4.2 Connection Diagram of the Access Control Panel or Standalone Access Control Device

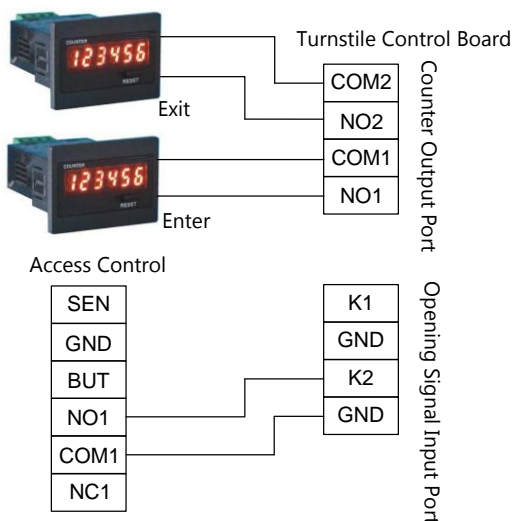


Figure 4-2

Notes:

1. The Counter is an optional accessory.
2. The lock driving duration of the access control panel or standalone access control device needs to be set to 1s or 0s, and the door sensor needs to be set to "None".

4.3 Parameter Configuration

Function description of the DIP switch



Figure 4-3

| Pin | 1 | 2 | 3 | 4 | 5 | 6 |
|-------------------------|------------------|---|---|---------------------|---|-----------------|
| Function Setting | Opening Duration | | | Direction Indicator | | Memory Function |

4.3.1 Setting the Turnstile Opening Duration

Opening duration refers to the period of time from opening to closing once the turnstile receives an open signal.

In the DIP switch, number 1, 2, and 3 are used for duration setting. It can be set to different values from 5s to 60s according to the following chart.

| Duration | Bit Setting | Duration | Bit Setting |
|----------|-------------|----------|-------------|
| 5s | 000 | 30s | 001 |
| 10s | 100 | 40s | 101 |
| 15s | 010 | 50s | 011 |
| 20s | 110 | 60s | 111 |

Note: The turnstile opening duration is set to 5s by default.

4.3.2 Direction Indicator

It is to indicate whether the passage allows people to pass. The green arrow means passing is allowed while the red "X" means passing is prohibited. The indicator status can be set through number 4 and 5 in the DIP switch. The description of the bit settings are as follows:

00 = One-way traffic. Green indicator indicates that passing is allowed while red indicator indicates that passing is prohibited.

10 = One-way traffic. Green indicator indicates that passing is allowed while red indicator indicates that passing is prohibited.

01 = Passing is allowed in both directions.

4.3.3 Memory Function

With the memory function, the turnstile could remember at most 20 swipes of one card at one time and allows up to 20 visitors to pass so they don't have to swipe card each time, this function can be enabled or disabled through number 6 in the DIP switch. The description of the bit settings are as follows:

ON (up): indicates that the memory function is enabled.

OFF (down): indicates that the memory function is disabled.

5. Equipment Precautions and Maintenance

5.1 Precaution

- It is recommended to purchase optional accessories to use in outdoor environment.
 - It shall install optional cooling fans for the equipment if the working temperature is often above 50 °C.
 - It is equivalent to IP54 waterproof under proper installation. However, it cannot work in the region that may suffer typhoon.
 - If the temperature is -30°C, a heating plate is suggested to install. It might need multiple times to power on while getting hot automatically through the self-check program.
 - The service life of this equipment may be shortened if it works outdoors in coastal areas or a region prone to acid rain.
- If the power and signal cables are connected properly, this equipment can be immersed in water of 250 mm deep, but it must not be powered on for operating when it is immersed in water.
- It is highly recommended that a card swiping warning line to set for prompting passers-by to swipe cards properly and a reasonable passage width shall be set to prevent passers-by from squeezing in illegally.

4. It is recommended that a warning sign is placed at a conspicuous position, and prompt: **"Please swipe your card outside the warning line and pass in order. Thank you!"**

The maximum tolerance of the tripod turnstile's arms

Please note that the maximum stress tolerance at the center of the arm is 80kg and at the ends of the arm is 40kg (See figure 5-1).When the impact force on the tripod turnstile reaches the designed limit, the arms break down first to ensure that the whole equipment is not damaged and the passer-by is not injured.

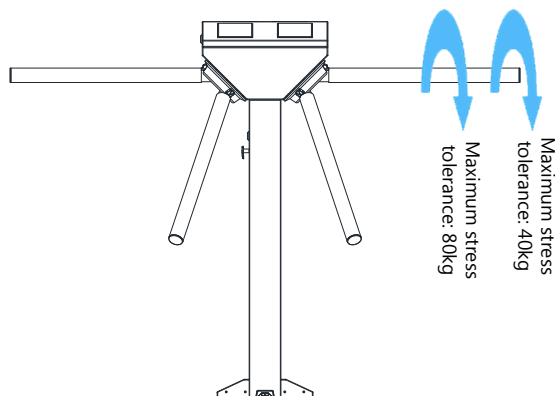


Figure 5-1

In case of emergencies

This equipment is designed to drop down arms automatically if there is power failure thus make the passage being open to the public. And there is interface in the turnstile board to connect an emergency switch which would make the tripod turnstile keep open in case of emergencies. Note after power restoration, wait for more than 6s and then lift the arms manually.

5.2 Maintenance

Forming maintenance consciousness

The tripod turnstile needs to be maintained regularly and repaired once it is damaged. It is recommended that warning signs being placed at conspicuous positions for prompting passers-by to pass in a proper way and in good order. Reasonable maintenance consciousness helps to guarantee long-term usage of the tripod turnstile.

Regular maintenance

Cleaning and protection liquid dedicated for stainless steel are recommended to wipe the outer shell of the equipment regularly. The tripod turnstile used outdoors or in an environment with lots of dust must be maintained once a year at least. Note regular maintenance should be performed after power off the equipment.

The damping accumulator is used to adjust the tripod turnstile's elasticity and return speed. You can rotate it in clockwise direction to enhance and in anticlockwise direction to weaken the elasticity and return speed of the tripod turnstile. See figure 5-2.

Figure 5-3 shows the mechanical and electrical structure of this equipment.

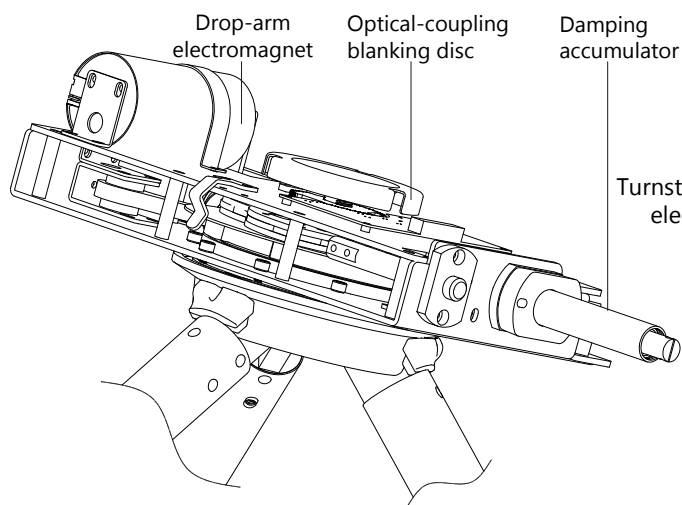


Figure 5-2

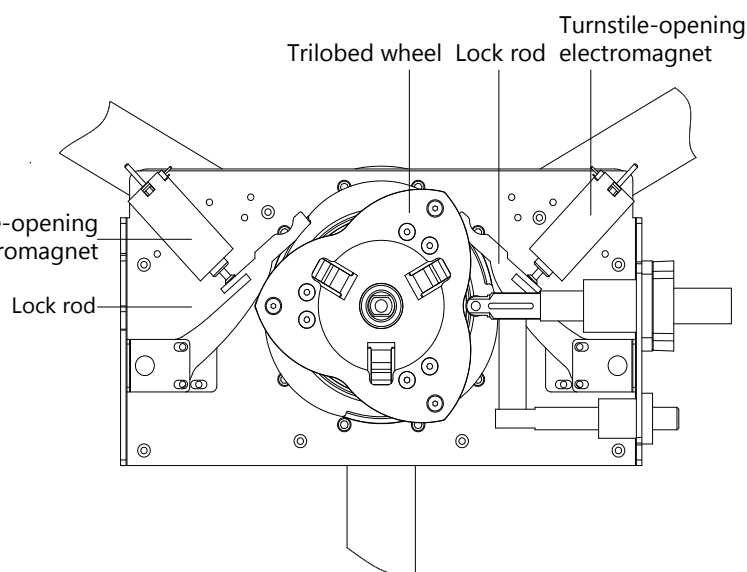


Figure 5-3

6. Troubleshooting

| Symptom | Troubleshooting |
|---|--|
| The indicator is not lighted when the equipment is powered on. | It may be caused by the power supply or circuit. Check whether the connection cable and power cable between are damaged, or the wiring is loose. |
| The arms of the tripod turnstile cannot be lifted manually after the equipment is powered on. | It may be caused by the problem of relative components or drop-arm electromagnet. 1. Check whether the stop base and turn plate withstands each other, as shown in figure 6-1. 2. Check whether the drop-arm electromagnet is operating. Remove the upper cover of the framework, use a hex key to remove the cover of the control module (as shown in figure 6-2), and check the work status of the electromagnet, as shown in figure 6-3. |
| The tripod turnstile does not open after authentication. | It may be caused by lack of permission or a circuit problem. 1. Check whether the user has the permission to open the turnstile. 2. Use a multimeter to check whether the NO and COM ports of the access control system has a relay signal output. 3. Short-circuit the ports "K1, GND" and "K2, GND", if the turnstile is successfully opened, it would be the controller problem. In this case, please refer to Attachment 2 to check the cable connection of the controller. |
| The passing is not smooth after the turnstile is opened, it encounters resistance when pushing the arms, and the arms cannot return to the home position after they rotate. | It is caused by the damper. Adjust the damper, as shown in figure 5-2. |
| The arms drop during the use. | It may be caused by the problem of relative components or drop-arm electromagnet. 1. Check whether there is any gap at the position shown in figure 6-1. 2. Check whether the drop-arm electromagnet is totally closed. If not, power off the equipment and power on it again 2 minutes later. |

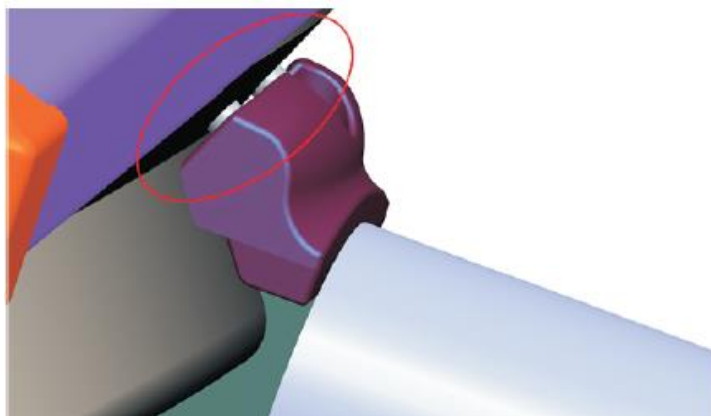


Figure 6-1

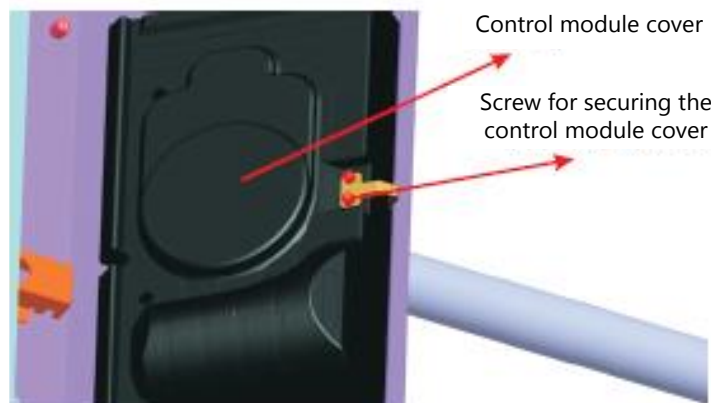
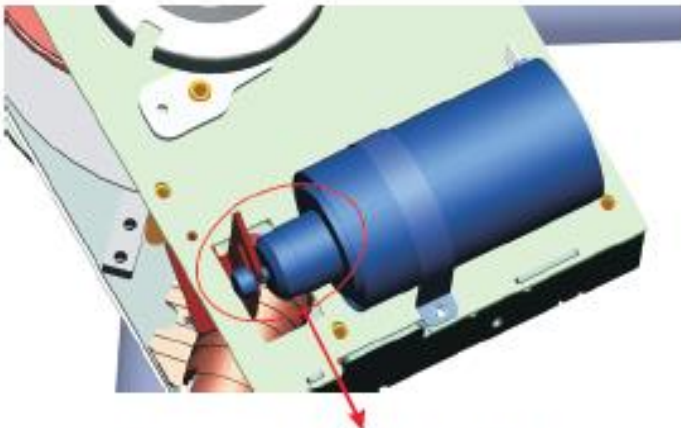
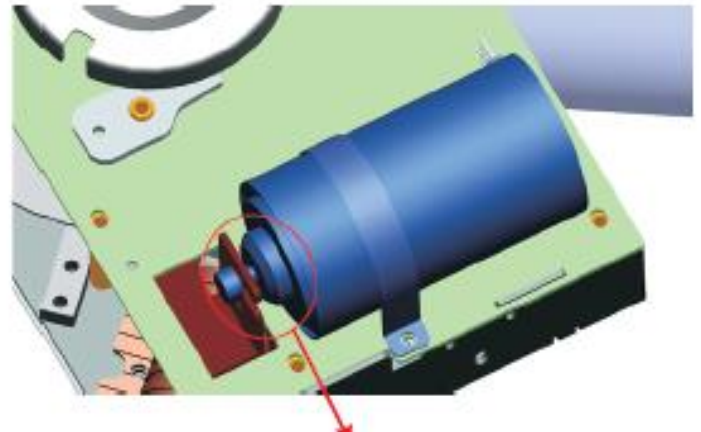


Figure 6-2



Normal status of the drop-arm electromagnet after being powered off



Normal status (closed) of the drop-arm electromagnet after being powered on

Figure 6-3

Attachment 1- Default Factory Settings

| No. | Function | Default |
|-----|-----------------------------|----------------------------------|
| 1 | Lock Driving Duration | 5s |
| 2 | Door Sensor | None |
| 3 | Verification Interval | 1s |
| 4 | Controller Communication | TCP/IP: 192.168.1.201 |
| 5 | Turnstile Opening Duration | 5s |
| 6 | Passing Direction Indicator | Passing is allowed (Green Arrow) |
| 7 | Memory Function | Disabled |

Note: The Lock Driving Duration is default 5 seconds, please set to 1 second.

Attachment 2- Connection Diagram Overview

